



# 15 Series ice and water dispenser with Chewblet® ice machine

countertop and freestanding

## Features

Compact footprint, only 14.62" (37.1 cm) W x 23.50" (59.7 cm) D

15 lb (6.8 kg) ice storage capacity

Integral air-cooled ice machine with up to 125 lb (56.7 kg) daily production of popular Chewblet ice

- designed to serve up to 50 people (160 servings per 10 hr day<sup>1</sup>)
- soft, chewable, compressed nugget ice is preferred over cubes<sup>2</sup>
- environmentally responsible R134a refrigerant with zero ozone depletion potential
- energy saving sleep mode
- quiet production without noisy harvest cycles
- meets the Consortium for Energy Efficiency (CEE) Tier 2 specifications for highly efficient ice machines
- ice-only models now ENERGY STAR® certified

Durable, attractive dispenser

- modern styling, stainless steel exterior with accent trim
- dispense-activated soft blue light illuminates point-of-use
- easy-to-clean, removable 20 oz (591 ml) drip tray
- dispenser top can support 35 lb (15.9 kg)

Designed with sanitation in mind

- Agion® silver-based antimicrobial product protection of key ice and water contact components<sup>3</sup>
- capacitive touch display eliminates direct user contact with ice
- accommodates cups up to 8.80" (22.4 cm) tall

Installation

- comes fully assembled
- two easy connections – electric and water
- drainless design allows dispenser to be placed anywhere a water line can be run and eliminates the cost of a drain installation

Warranty

- 2 years parts and labor, 5 years compressor parts
- optional extended third year warranty (item# 00960732)

## Accessories

- Base stand for converting countertop models (item# 00956292)
  - 4.00" (10.16 cm) leg kit for CI - countertop models (item# 00956300)
  - 6.00" (15.24 cm) leg kit for FS - freestanding models (item# 00956318)
  - Drip tray drain kit for countertop models (includes 4.00" (10.16 cm) legs) (item# 00981977)
  - Drip tray drain kit for freestanding models (item# 00956375)
  - SafeCLEAN Plus™ 15 series single use kit (item# 01054691)
  - SafeCLEAN Plus case of 24 packs (item# 01050863)
  - Cartridge, replacement 5 micron particle/carbon (item# 00968107)
- For additional water treatment and other accessories refer to form# 4025

**NOTE:** For use in applications with greater than 5 mg/l but less than 400 mg/l total dissolved solids in water and less than 200 mg/l hardness (either naturally occurring or treated with reverse osmosis or other TDS reducing technology).  
Not recommended for use with softened water.

115 V 60 Hz – ice and water dispensers			
Ice storage capacity	Configuration	Filter*	Item number
<b>15 lb (6.8 kg)</b>	countertop ice and water	no filter	<b>15CI100A-IW-NF-ST-00</b>
		internal	<b>15CI100A-IW-CF-ST-00</b>
	freestanding ice and water	no filter	<b>15FS100A-IW-NF-ST-00</b>
		internal	<b>15FS100A-IW-CF-ST-00</b>
	countertop ice-only	no filter	<b>15CI100A-NW-NF-ST-00†</b>
		internal	<b>15CI100A-NW-CF-ST-00†</b>
freestanding ice-only	no filter	<b>15FS100A-NW-NF-ST-00†</b>	
	internal	<b>15FS100A-NW-CF-ST-00†</b>	

† ENERGY STAR certified

\* Internal filter is a 5 micron particle and carbon filter

Job \_\_\_\_\_

Item \_\_\_\_\_

801 Church Lane | Easton, PA 18040, USA  
1.800.523.9361 | 1.610.252.7301 | follettice.com

**FOLLETT**  
Innovative solutions, inspired by ice



10%

TOTAL RECOVERED FIBER  
ALL POST-CONSUMER FIBER

Paper certified by:

The Forest Stewardship Council (FSC) and the Sustainable Forestry Initiative (SFI)

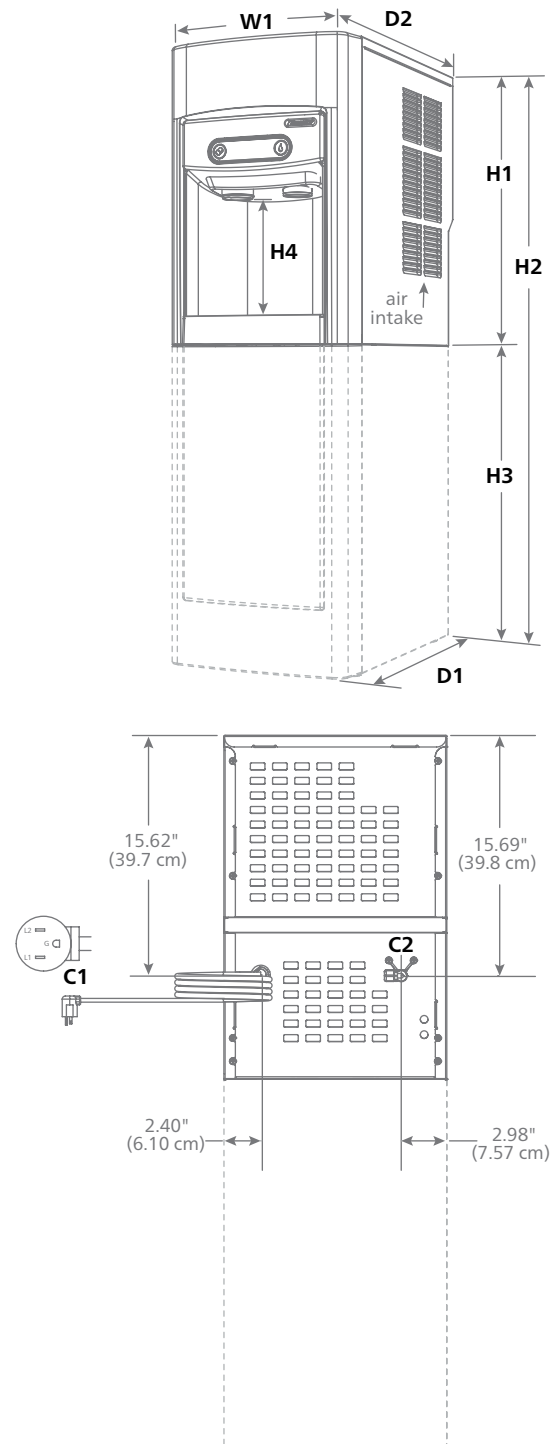
## Specification

Ice storage capacity	15 lb (6.8 kg)
<b>W1</b> Width	14.62" (37.1 cm)
<b>D1</b> Depth of bottom	22.12" (56.2 cm)
<b>D2</b> Depth of top	23.50" (59.7 cm)
<b>H1</b> Height – countertop models	22.50" (57.2 cm)
<b>H2</b> Height – freestanding models	47.00" (119.4 cm)
<b>H3</b> Height, base stand	24.50" (62.2 cm)
<b>H4</b> Dispense height clearance	8.80" (22.40 cm)
Ventilation clearance	3.00" (7.62 cm) on each side
Service clearance	3.00" (7.62 cm) behind and on each side
<b>C1</b> 115 V/60/1 electrical	5 amps. Connect to dedicated 15 amp circuit, fuse or breaker. 8' (2.4 m) cord w/ NEMA 5-15 90° plug.
<b>C2</b> Water inlet	1/4" MPT
Air temperature	50 - 100 F (10 - 38 C)
Water temperature	40 - 90 F (4 - 32 C)
Water pressure	10 - 70 psi (69 - 482 kpa)
Ice production at 70 F (21 C) air and 50 F (10 C) water	125 lb (56.7 kg)
Ice production at 90 F (32 C) air and 70 F (21 C) water	100 lb (45.4 kg)
Energy consumption 90 F (32 C) air and 70 F (21 C) water	6.9 kWh per 100 lb (45.4 kg) ice
Heat rejection	1700 BTU/hr
Water consumption	12 gal (45.4 L) of potable water per 100 lb (45.4 kg) of ice
Approximate shipping weight – countertop models	100 lb (46 kg)
Approximate shipping weight – freestanding models	130 lb (59 kg)

NOTE: For indoor use only. Designed for commercial use. Follett is not able to provide in-house services for residential installations.

SHORT FORM SPECIFICATION: (Choose one) \_\_\_ Ice and water or \_\_\_ ice-only dispenser to be Follett® automatic load in (choose one) \_\_\_ countertop or \_\_\_ freestanding configuration, with 15 lb (6.8 kg) of storage. Environmentally responsible R134a ice machine to be air-cooled. Ice machine to produce approximately 125 lb (56.7 kg) of Chewblet compressed nugget ice at air temperature of 70 F (21 C) and water temperature of 50 F (10 C). Ice machine to be equipped with printed circuit board and diagnostics to allow simplified servicing and with capacitive touch user interface. Storage area insulated with non-CFC, high density foam-in-place polyurethane. 8' (2.4 m) cord and NEMA 5-15 90° plug provided 115 V/60/1. NSF and ETL listed. For use in applications with greater than 5 mg/l but less than 400 mg/l total dissolved solids in water and less than 200 mg/l hardness (either naturally occurring or treated with reverse osmosis or other TDS reducing technology).

## Dimensional drawing



- 16 oz (473 ml) cups, 2/3 full of ice.
- Independent third party studies. Contact Follett for details.
- Disclaimer: Antimicrobial protection is limited to the treated components and does not treat water or ice.
- ENERGY STAR certification applies only to ice-only dispensers. While the Symphony Plus ice and water dispensers have the same efficient ice makers and refrigeration systems with the same ice machine electrical and water consumption as their complementary ice-only models, there is no ENERGY STAR category for ice and water dispensers at this time.

Agion is a registered trademark of Sciescent LLC.

ENERGY STAR and the ENERGY STAR mark are registered US marks.

SafeCLEAN Plus is a trademark of the Follett Corporation.

Chewblet and Follett are registered trademarks of Follett Corporation, registered in the US.

Follett reserves the right to change specifications at any time without obligation. Certifications may vary depending on country of origin.

## 15 Series countertop and freestanding